

M/V REM ANDES



SHIP TYPE	Special Service Vessel – Seismic Research
CLASSIFICATION	BUREAU VERITAS
BUILDER	REMONTOWA SA. Gdansk, Poland, 2012
YEAR CONVERTED	2019
IMO NUMBER	9606699
PORT OF REGISTRY	Nassau
FLAG	Bahamas
CALL SIGN	C6EJ6
OFFICIAL NUMBER	7001264

OWNER:	REM ANDES AS, 6092 FOSNAVAG	MANAGER:	REM MARITIME AS, 6092 FOSNAVAG
---------------	--------------------------------	-----------------	-----------------------------------

MAIN DIMENSIONS		CLASS NOTATIONS
Length O. A.	87,90 m	I <input checked="" type="checkbox"/> HULL <input checked="" type="checkbox"/> MACH Special service - research & seismic survey Unrestricted navigation <input checked="" type="checkbox"/> AUT-UMS (SS), MON-SHAFT, GREEN PASSPORT, CLEANSHIP, SPS INWATERSURVEY, <input checked="" type="checkbox"/> DYNAPOS AM/AT R, HEL
Length P. P.	81.52 m	
Breadth	18,80 m	
Draft	5,60 m	
Gross Tonnage	5458	
Net Tonnage	1637	



MACHINERY AND PROPELLER PLANTS

Main propulsion system	Main Engine	2 x MAC 6M25 rated 1900 kW (2548 BHP) each
	El Motor PTI	2 x PTI Motors rated 2000 kW (2682 BHP) each
	Combined Propulsion	Hybrid Mode 6500 Kw/8716 BHP
	Propellers	2 x CPP, Berg, 3m
	Rudders	2 x Rolls-Royce FB Rudder/Flap rudder
Power Plant	Bow Thruster	2 x 900 kW, 12,5 T Thrust, Scana
	Stern Thruster	2 x 600 kW, 8.7 T Thrust, Scana
	Main Generator	2 x CAT 3516C rated 2,350 kW (3,151 BHP) /690V/ 60Hz/ 3Ph
	Shaft Generator	2 x 2,000 kW (2,435 BHP) /690V/ 60Hz/ 3Ph
	Emergency Generator	1 x 398 kW (533 BHP)/ 690V/ 60Hz/ 3Ph

DECK MACHINERY

Deck Crane:	TTS GPT 80-2-12 Telescope Hydraulic Crane SWL 2T
Deck Crane	MELCAL FL35T5 Offshore Crane, SWL:4T/4,6m-1.3T/14m
Anchor Windlass	2 x 11 T, Electric driven, Brattvaag
Anchor Chain	2 x 275 m x 54 mm (Ø)
Anchor (Bow)	2 x 2,840 kg, High Holding Power Anchors
Capstan	2 x 10 T @ 35.2m/min, Brattvaag
Workboat	N/A
Static Bollard Pull	101.90 MT

NAVIGATION EQUIPMENT

AutoPilot:	SPERRY MARINE "NAVPILOT 4000"
DGPS:	FURUNO GP-150
Radars:	FURUNO FAR-2X17B FURUNO FAR-2X37S-BB
Gyro Compass	3 x Sperry Marine NAVIGAT X MK1
Magnetic Compass	SPERRY MARINE
ECDIS	FURUNO "TECDIS"
DP system	KONGSBERG K-POS DP21
Navigation Echo Sounder:	FURUNO FE-720
GMDSS	FURUNO A1, A2, A3
VDR	FURUNO VR-3000
AIS	FURUNO FA-150
Speed Log	FURUNO DS-60
Facsimile	FURUNO FAX-408

SEISMIC EQUIPMENT

Energy Source	2 x LMF48/138-207 48 m3/min (1695 cfm) 3 x LMF31/138-207 31 m3/min (1095 cfm)
Source Controller	Bigshot
Source Elements	Sercel G-Gun II
Sub Arrays	up to 10
Volume	up to 8000 cu.in.
Operating Pressure	138 bar / 2000 psi
On-line Navigation System:	GATOR
Primary Navigation:	GATOR
GPS receiver:	2 x VERIPOS LD-900
Secondary navigation:	GATOR
Gun array tracking:	RGPS Kongsberg Seatrack 330
Acoustic:	Project specific USBL
QC QUALITY CONTROL	
Navigation QC	Teledyne Smart Source D
QC Seismic Processing	Open CPS
ADCP	JRC Model: JLN-652
SEISMIC ECHO SOUNDER	KONGSBERG EA Singlebeam WBT Standard 38kHz / 200kHz

SPEED AND FUEL CONSUMPTION

Cruising Speed:	10,0 knots / 16.0 m3
Max speed:	14,0 knots / 21.0 m3
DP operations:	var. / 12.0 m3

CAPACITIES

Fuel:	2980 M3 at 98%
Fresh water:	664 M3
Sewage:	23.8 M3
Oil Residue:	20,8 M3
Fresh water generator:	ENWA Reverse Osmosis: 25 m3
Sewage treatment plant:	75 persons x RWO WWT LC 06, 10.8 m3/hr
Incinerator:	Atlas 400 SL WS 180.000 kcal/h; max70 kg/h

LIFE SAVING EQUIPMENT

Life Rafts:	12 x 16, Viking
Rescue Boat:	2 x 15 persons, Jiangyin Neptune Marine FRP
BA-sets	4 x SCOTT
Air Compressor:	1 x MCH-13/ET
Line Thrower:	4 x Pains/Wessex
Survival Suits:	64 x VIKING
Life Vests:	70
Life buoys:	12
Gas Monitor:	3 x portable sets-Drager
Medical Emergency:	1x Heart-Start AED, Resuscitator
Galley System:	1x CO2 HP System
Emergency Fire Pump:	1x 45 m3/h
Fire Extinguisher:	104/ CO2, Powder/Foam/DP
CO2 System:	1x Fixed ER 1x Fixed Galley 1x Fixed EDG

COMMUNICATION

Inmarsat Fleet broadband:	FELCOM 250
VSAT equipment:	MARLINK
Inmarsat C:	FURUNO Felcom 15
Emergency Radios:	3x VHF ENTEL HT649
M/F and H/F:	FURUNO FS-1570
VHF stationary:	FURUNO FM-8800S
Internal communication:	1 Automatic Telephone System "VINGTOR" 1 Battery less Telephone System "VINGTOR" 1 Public Address System
Navtex:	NX-700
Vessel E-mail:	captain@andes.remoffshore.no

ACCOMMODATION

Accommodation capacity:	60 persons
Special Purpose Ship	SPS 60
1M Cabins	20 x 1M Cabins with Bathrooms
2M Cabins	20 x 2M Cabines with Bathrooms
Mess:	42 person
Day room:	1 x comfortable outfitted on Deck B
Gym Area:	Fully equipped

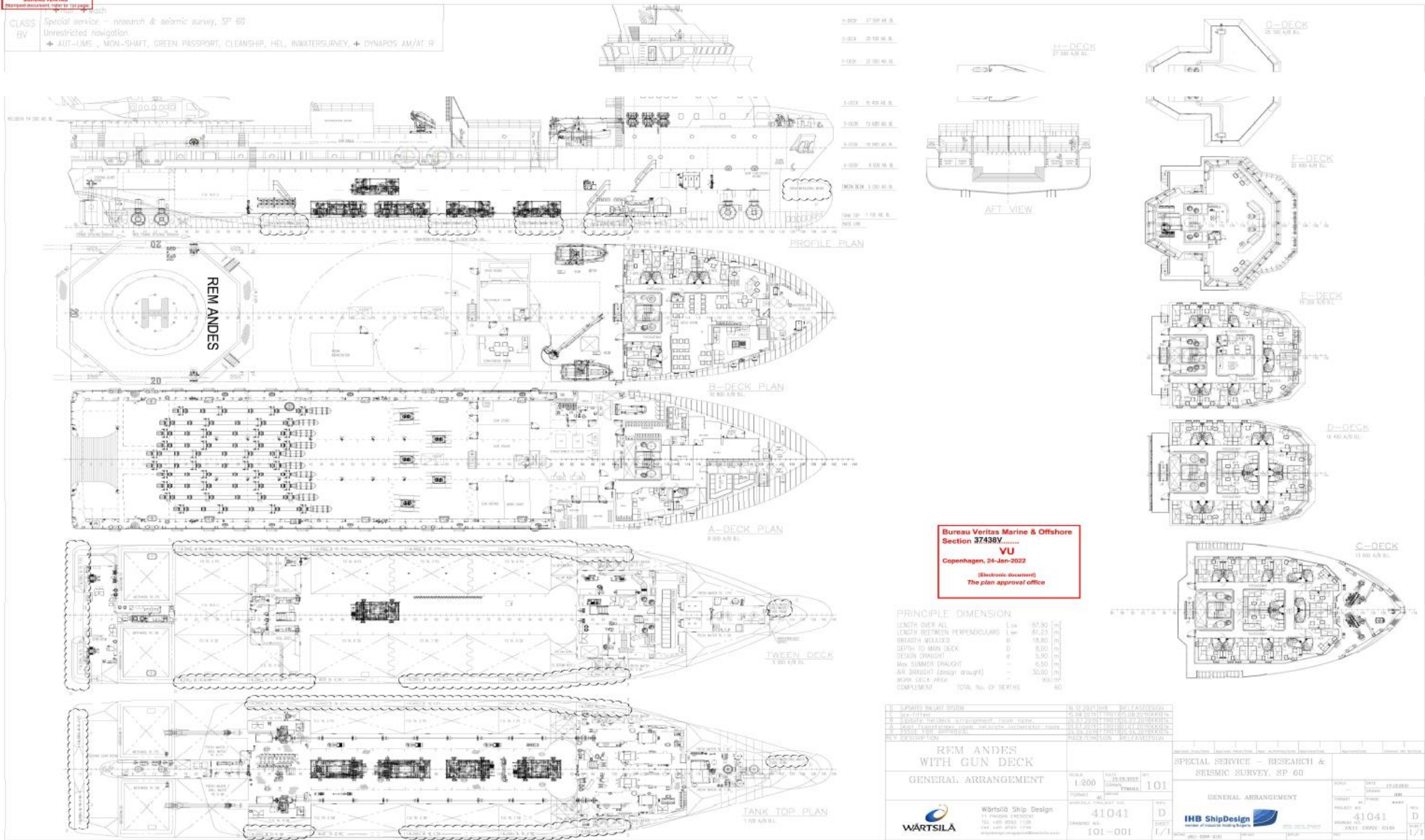
HELIDECK

D value	19.5 m
"t" value	9.3 t
Location	Stern

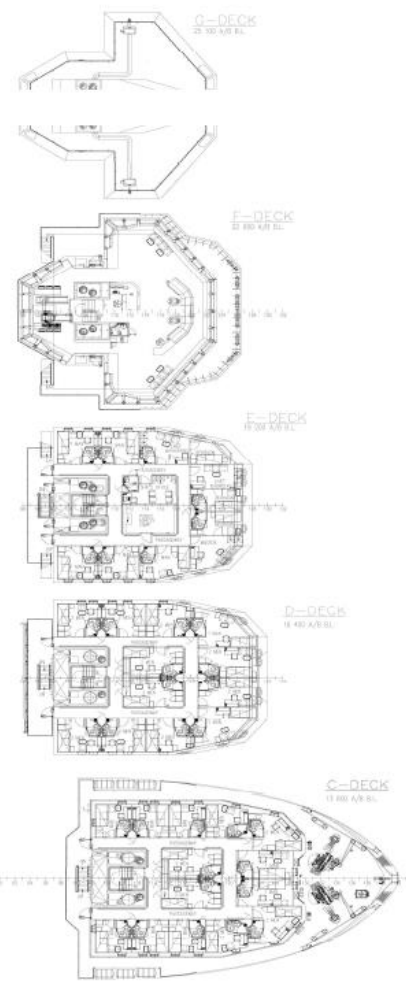
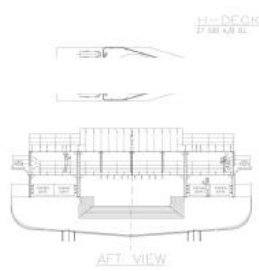
M/V REM ANDES

BUREAU VERITAS
 Registered document number 1212166

CLASS BV
 Special service - research & seismic survey, SP 60
 Unrestricted navigation
 + AUT-LIMS, MON-SHAFT, GREEN PASSPORT, CLEANSHIP, HEL, INWATERSURVEY, + DYNAPOS 4M/AT R



- 4-DECK 27.00 m SL
- 3-DECK 25.00 m SL
- 1-DECK 22.00 m SL
- 2-DECK 19.00 m SL
- 3-DECK 17.00 m SL
- 4-DECK 15.00 m SL
- 5-DECK 13.00 m SL
- 6-DECK 11.00 m SL
- 7-DECK 9.00 m SL
- 8-DECK 7.00 m SL
- 9-DECK 5.00 m SL
- 10-DECK 3.00 m SL
- 11-DECK 1.00 m SL
- 12-DECK 0.00 m SL



Bureau Veritas Marine & Offshore
 Section 37438V
 VU
 Copenhagen, 24-Jan-2022
 [Electronic document]
 The plan approval office

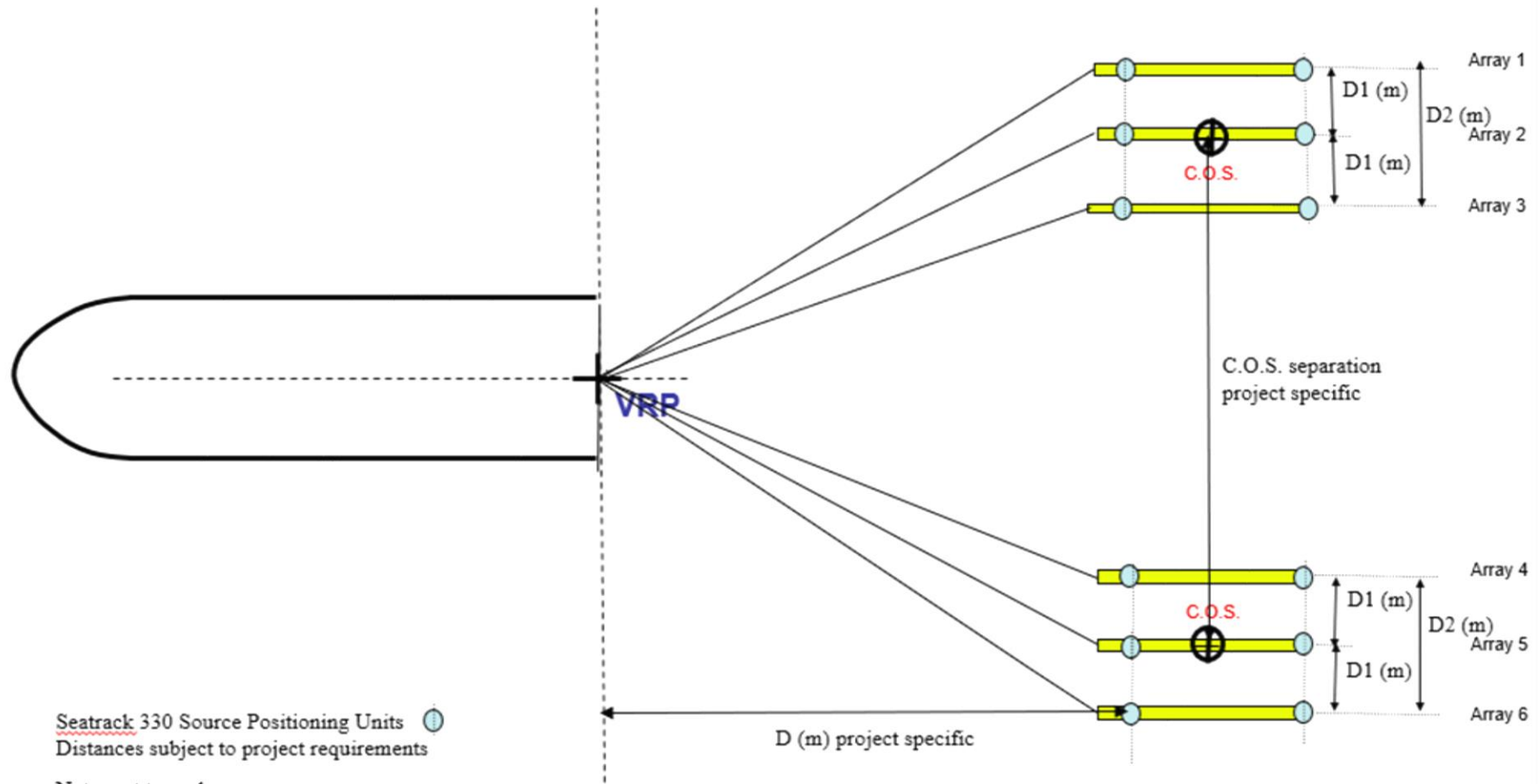
PRINCIPLE DIMENSION

LENGTH OVER ALL	L _{oa}	87.30	(m)
LENGTH BETWEEN PERPENDICULARS	L _{bp}	81.23	(m)
BREADTH MOLDED	B	18.80	(m)
DEPTH TO MAIN DECK	D	8.00	(m)
DESIGN DRAUGHT	d	5.90	(m)
Max. SUMMER DRAUGHT		6.50	(m)
AW DRAUGHT (design draught)		30.00	(m)
WORK DECK AREA		900	(m ²)
COMPLEMENT	TOTAL No. OF BERTHS	60	

R/M ANDES WITH GUN DECK		SCALE: 1:200		DATE: 2022-01-24	
GENERAL ARRANGEMENT		PROJECT NO: 41041		SHEET NO: 101	
Wärtsilä Ship Design		DRAWN BY: [Name]		CHECKED BY: [Name]	
WARTSILA		PROJECT NO: 41041		SHEET NO: 101-001	

SPECIAL SERVICE - RESEARCH & SEISMIC SURVEY, SP 60		GENERAL ARRANGEMENT	
IHB ShipDesign		PROJECT NO: 41041	
ANTHONY CONSULTING		SHEET NO: 101-001	

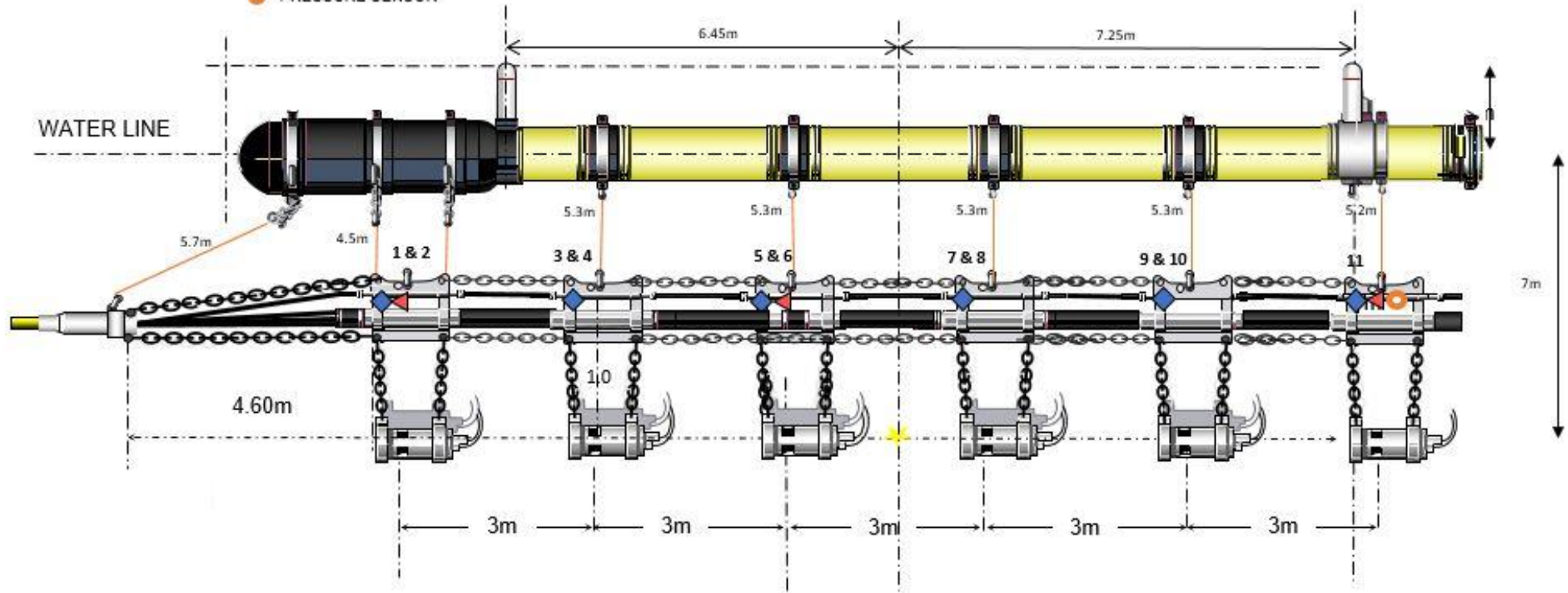
OVERHEAD VIEW OF NOMINAL OFFSETS



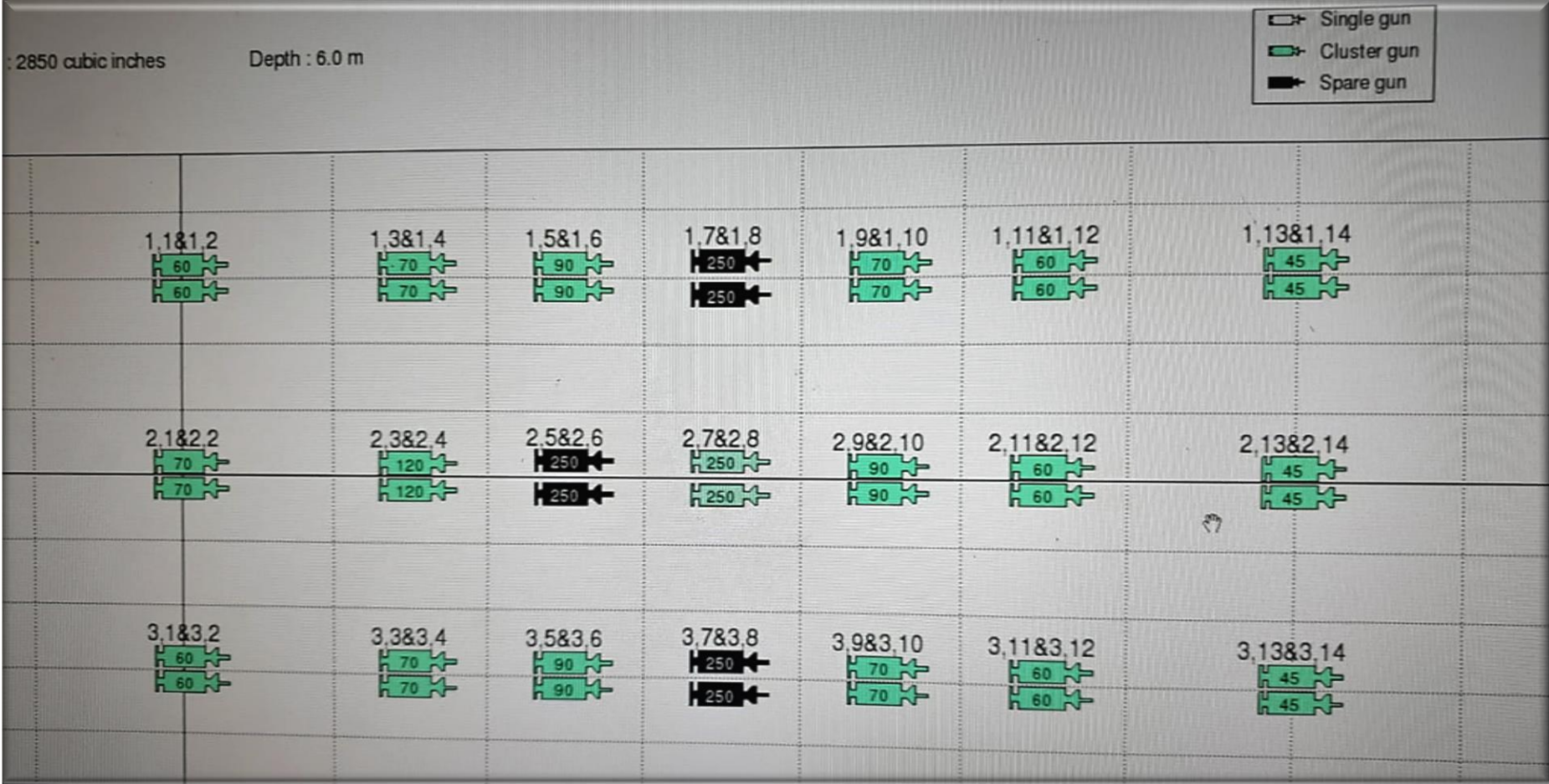
CU IN SUB-ARRAY

CENTRE OF SOURCE

- ★ CENTER OF SOURCE
- ◆ HYDROPHONE
- ◄ DEPTH SENSOR
- PRESSURE SENSOR



Typical Project Source Layout (as per project requirements)



Basic Seismic Equipment Rem Andes

Name	SerialNo	Maker	MakersType	Number
Deflectors, Marshseis No2, with Float				3
Deflectors, Marshseis No3 with Float				3
Seadiff Controller	110085	Kongsberg	G701-03_01	2
Seadiff 300	108047	Kongsberg	G701-03	1
Seatex VCU 300 No. 1	VCU666	Kongsberg	G700-20	1
Seatex VCU 300 No. 2	VCU665	Kongsberg	G700-20	1
Seatex VCU 300 No. 3	VCU665	Kongsberg	G700-20	1
Seatrack 330 RGPS Pod	858	Kongsberg	330 RGPS	19
Dual PSU	512236	Aim TT i	EL302RD	6
Single PSU	514802	Aim TT i	EL302P-USB	2
Seatrack Junction Box No. 1		Kongsberg		1
Seatrack Junction Box No. 2		Kongsberg		1
Slip Ring ESR220/100/96-1 + BAT.R.40				7
Veripos No 1		Hexagon	H70-PC	1
Veripos No 2		Hexagon	H70-PC	1
Gator II CIU	22	ION	84715000	1
Gator II CIU	23	ION	84715000	1
Gator Bridge machine	7JHQBN3	ION	84714900	1
Gator Workstation	DHJ71N3			1
Gator Workstation	HHJ71N3			1
Umbilcal (DeRegt)	GU - 09196570 51	DeRegt		7
BigShot Controller (BCTL)	110810-01	Teledyne	BSCTL	1
BigShot Controller (BCTL)	112910-01	Teledyne	BSCTL	1
BigShot Power Supply (BS-PWR4)	011509-01	Teledyne	BS-PWR4	18
SmartSource Controller (SSCTL)	1.0296E+13	Teledyne	SSCTL	2
SmartSource Power Supply (SSPWR-2)	1.0286E+13	Teledyne	SSPWR-2	7
Gun Controller Computer No. 1	442400059	Superlogix	SL-4U-AB250M- WB	1
Gun Controller Computer No. 2		HP		1
Hydrophone AG Digital (02-11-500)	894	AG Geophysical	02-11-500	42
Depth Transducer (AGH D500)	25894	AG Geophysical	AGH D500	28
Pressure Transducer (AGH P600)		AG Geophysical	AGH P600	17
Sercel G-gun II Complete 150 II				68
Sercel G-gun II Complete 250 II				16
Flexible floats complete assembly				6